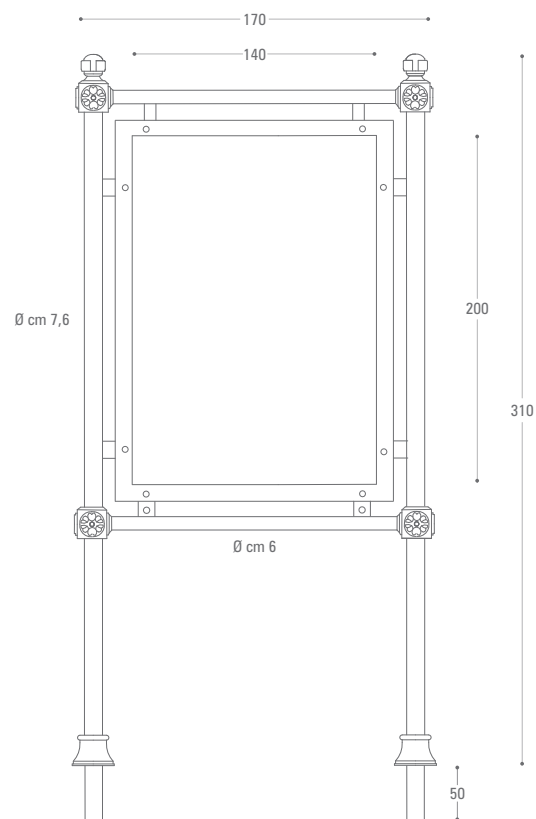


STANDARDI





cod. 470

Composto da:

- » N°2 tubolari verticali diam. 7,6 in ferro zincato a caldo.
- » N°2 tubolari orizzontali diam. 6 in ferro zincato a caldo.
- » N°2 basette in fusione di ghisa EN GJL 200 (UNI EN 1561).
- » N°4 raccordi ornamentali in ghisa EN GJL 200 (UNI EN 1561).
- » Pannello in lamiera zincata a caldo su cui inserire i manifesti, fissato alla struttura mediante bulloni in acciaio.

Features:

- » Nr. 2 vertical tubular pipes 7,6 in diameter made of hot-dip galvanized iron.
- » Nr. 2 horizontal tubular pipes 6 in diameter made of hot-dip galvanized iron.
- » Nr. 2 small bases made of EN GJL 200 cast iron fusion (UNI EN 1561).
- » Nr. 4 decorative joints made of EN GJL 200 cast iron (UNI EN 1561).
- » Hot-dip galvanized iron sheet panel suitable for advertisement posters, fixed to the frame through steel bolts.



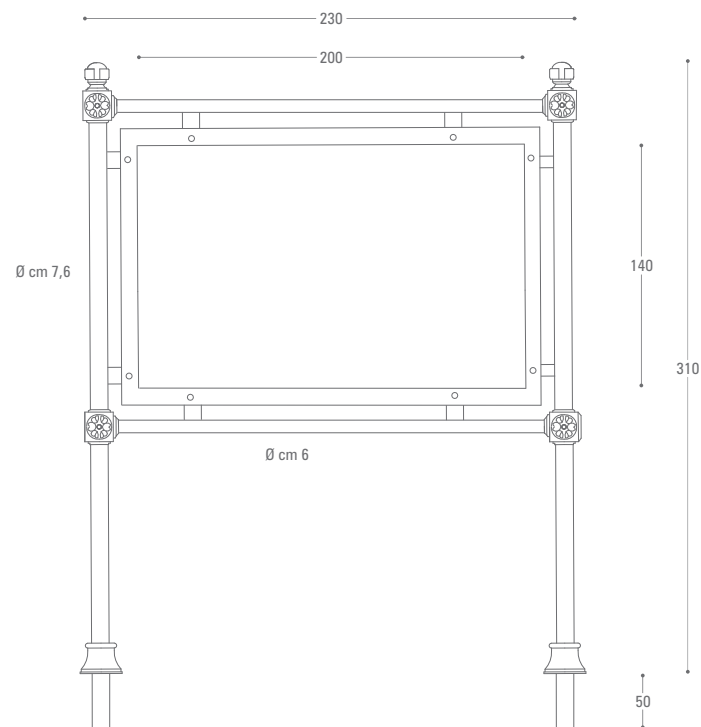
cod. 471

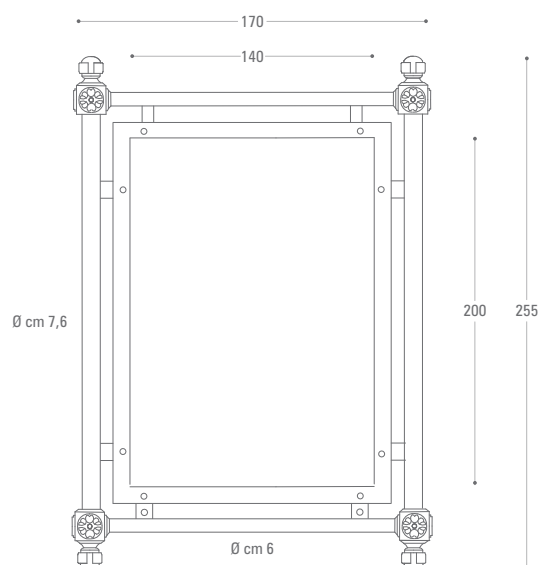
Composto da:

- » N°2 tubolari verticali diam. 7,6 in ferro zincato a caldo.
- » N°2 tubolari orizzontali diam. 6 in ferro zincato a caldo.
- » N°2 basette in fusione di ghisa EN GJL 200 (UNI EN 1561).
- » N°4 raccordi ornamentali in ghisa EN GJL 200 (UNI EN 1561).
- » Pannello in lamiera zincata a caldo su cui inserire i manifesti, fissato alla struttura mediante bulloni in acciaio.

Features:

- » Nr. 2 vertical tubular pipes 7,6 in diameter made of hot-dip galvanized iron.
- » Nr. 2 horizontal tubular pipes 6 in diameter made of hot-dip galvanized iron.
- » Nr. 2 small bases made of EN GJL 200 cast iron fusion (UNI EN 1561).
- » Nr. 4 decorative joints made of EN GJL 200 cast iron (UNI EN 1561).
- » Hot-dip galvanized iron sheet panel suitable for advertisement posters, fixed to the frame through steel bolts.





cod. 472

Composto da:

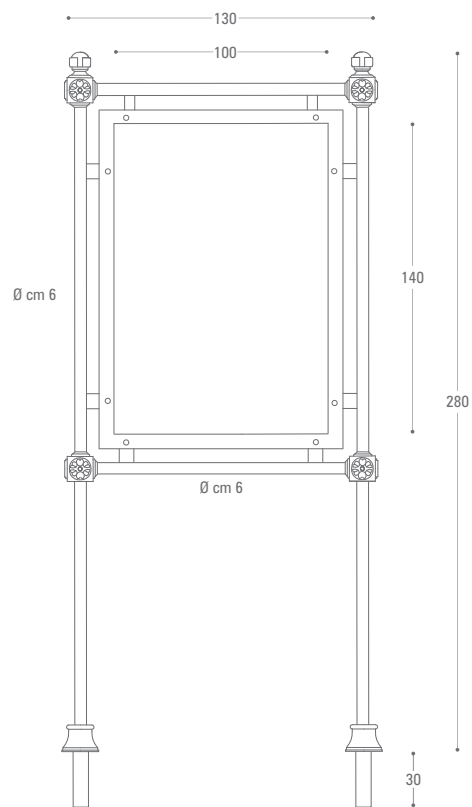
- » N°2 tubolari verticali diam. 7,6 in ferro zincato a caldo.
- » N°2 tubolari orizzontali diam. 6 in ferro zincato a caldo.
- » N°2 basette in fusione di ghisa EN GJL 200 (UNI EN 1561).
- » N°4 raccordi ornamentali in ghisa EN GJL 200 (UNI EN 1561).
- » Pannello in lamiera zincata a caldo su cui inserire i manifesti, fissato alla struttura mediante bulloni in acciaio.

N.B. Questo stendardo può essere montato sia in verticale, che in orizzontale.

Features:

- » Nr. 2 vertical tubular pipes 7,6 in diameter made of hot-dip galvanized iron.
- » Nr. 2 horizontal tubular pipes 6 in diameter made of hot-dip galvanized iron.
- » Nr. 2 small bases made of EN GJL 200 cast iron fusion (UNI EN 1561).
- » Nr. 4 decorative joints made of EN GJL 200 cast iron (UNI EN 1561).
- » Hot-dip galvanized iron sheet panel suitable for advertisement posters, fixed to the frame through steel bolts.

Note: this sign board can be fixed up either in vertical or in horizontal position.



cod. 473

Composto da:

- » N°2 tubolari verticali diam. 6 in ferro zincato a caldo.
- » N°2 tubolari orizzontali diam. 6 in ferro zincato a caldo.
- » N°2 basette in fusione di ghisa EN GJL 200 (UNI EN 1561).
- » N°4 raccordi ornamentali in ghisa EN GJL 200 (UNI EN 1561).
- » Pannello in lamiera zincata a caldo su cui inserire i manifesti, fissato alla struttura mediante bulloni in acciaio.

Features:

- » Nr. 2 vertical tubular pipes 6 in diameter made of hot-dip galvanized iron.
- » Nr. 2 horizontal tubular pipes 6 in diameter made of hot-dip galvanized iron.
- » Nr. 2 small bases made of EN GJL 200 cast iron fusion (UNI EN 1561).
- » Nr. 4 decorative joints made of EN GJL 200 cast iron (UNI EN 1561).
- » Hot-dip galvanized iron sheet panel suitable for advertisement posters, fixed to the frame through steel bolts.



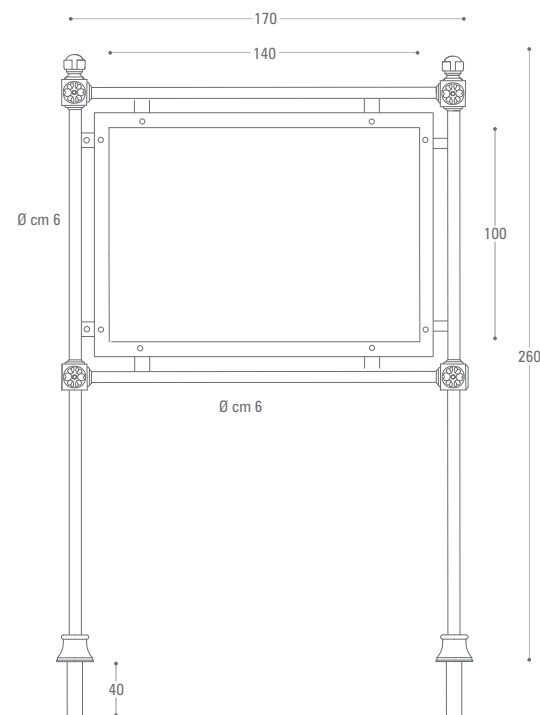
cod. 474

Composto da:

- » N°2 tubolari verticali diam. 6 in ferro zincato a caldo.
- » N°2 tubolari orizzontali diam. 6 in ferro zincato a caldo.
- » N°2 basette in fusione di ghisa EN GJL 200 (UNI EN 1561).
- » N°4 raccordi ornamentali in ghisa EN GJL 200 (UNI EN 1561).
- » Pannello in lamiera zincata a caldo su cui inserire i manifesti, fissato alla struttura mediante bulloni in acciaio.

Features:

- » Nr. 2 vertical tubular pipes 6 in diameter made of hot-dip galvanized iron.
- » Nr. 2 horizontal tubular pipes 6 in diameter made of hot-dip galvanized iron.
- » Nr. 2 small bases made of EN GJL 200 cast iron fusion (UNI EN 1561).
- » Nr. 4 decorative joints made of EN GJL 200 cast iron (UNI EN 1561).
- » Hot-dip galvanized iron sheet panel suitable for advertisement posters, fixed to the frame through steel bolts.





cod. 475

Composto da:

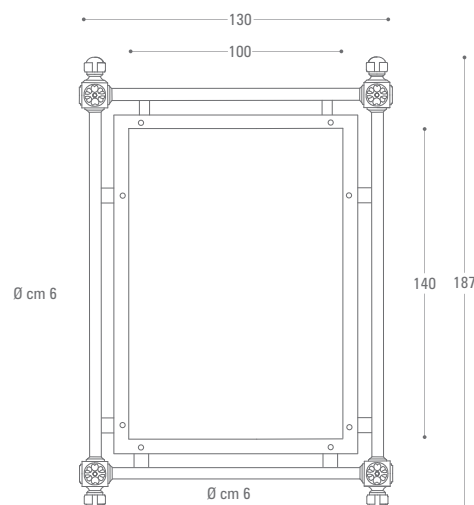
- » N°2 tubolari verticali diam. 6 in ferro zincato a caldo.
- » N°2 tubolari orizzontali diam. 6 in ferro zincato a caldo.
- » N°2 basette in fusione di ghisa EN GJL 200 (UNI EN 1561).
- » N°4 raccordi ornamentali in ghisa EN GJL 200 (UNI EN 1561).
- » Pannello in lamiera zincata a caldo su cui inserire i manifesti, fissato alla struttura mediante bulloni in acciaio.

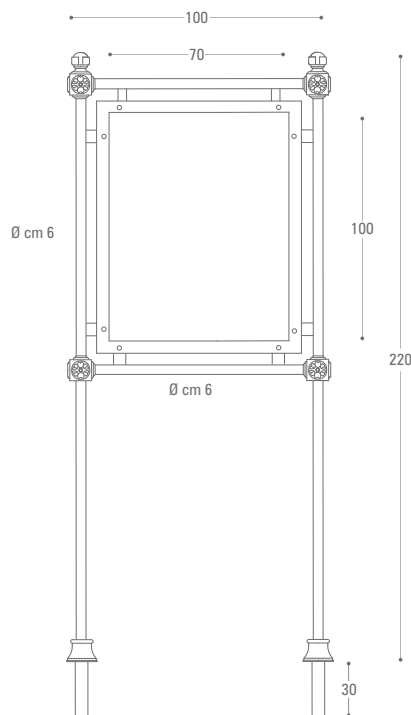
N.B. Questo stendardo può essere montato sia in verticale, che in orizzontale.

Features:

- » *Nr. 2 vertical tubular pipes 6 in diameter made of hot-dip galvanized iron.*
- » *Nr. 2 horizontal tubular pipes 6 in diameter made of hot-dip galvanized iron.*
- » *Nr. 2 small bases made of EN GJL 200 cast iron fusion (UNI EN 1561).*
- » *Nr. 4 decorative joints made of EN GJL 200 cast iron (UNI EN 1561).*
- » *Hot-dip galvanized iron sheet panel suitable for advertisement posters, fixed to the frame through steel bolts.*

Note: this sign board can be fixed up either in vertical or in horizontal position.





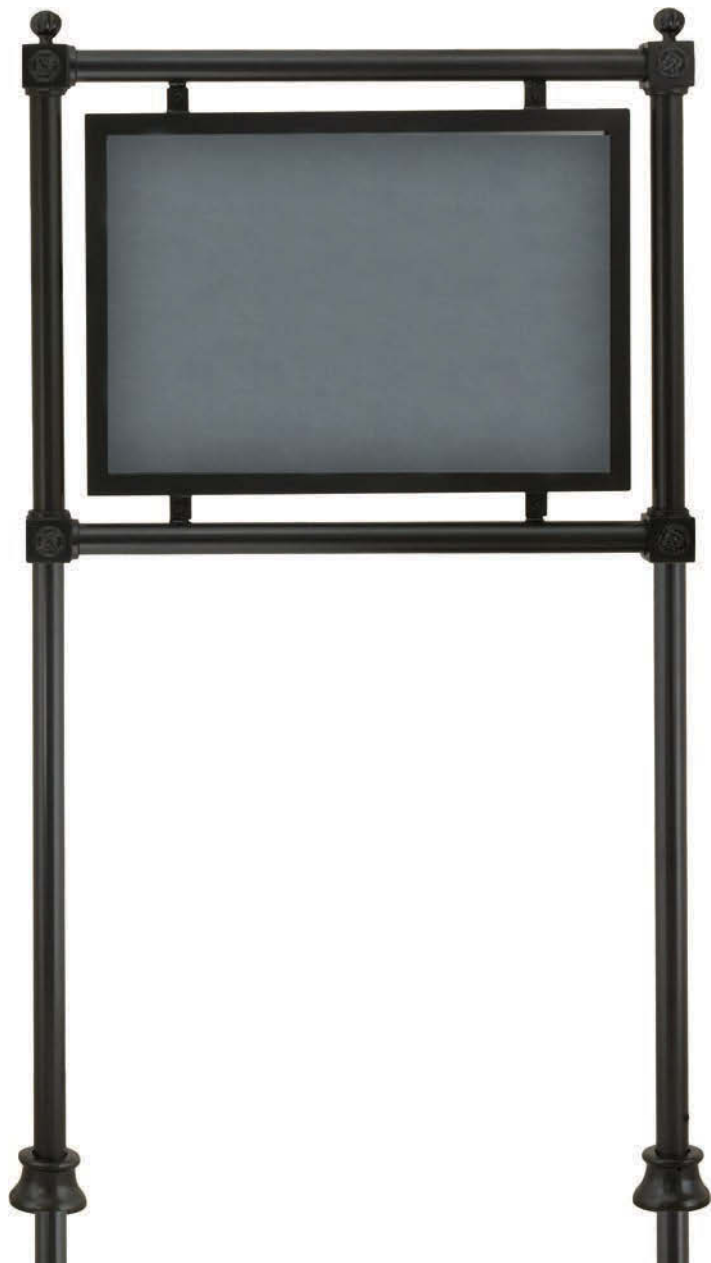
cod. 476

Composto da:

- » N°2 tubolari verticali diam. 6 in ferro zincato a caldo.
- » N°2 tubolari orizzontali diam. 6 in ferro zincato a caldo.
- » N°2 basette in fusione di ghisa EN GJL 200 (UNI EN 1561).
- » N°4 raccordi ornamentali in ghisa EN GJL 200 (UNI EN 1561).
- » Pannello in lamiera zincata a caldo su cui inserire i manifesti, fissato alla struttura mediante bulloni in acciaio.

Features:

- » Nr. 2 vertical tubular pipes 6 in diameter made of hot-dip galvanized iron.
- » Nr. 2 horizontal tubular pipes 6 in diameter made of hot-dip galvanized iron.
- » Nr. 2 small bases made of EN GJL 200 cast iron fusion (UNI EN 1561).
- » Nr. 4 decorative joints made of EN GJL 200 cast iron (UNI EN 1561).
- » Hot-dip galvanized iron sheet panel suitable for advertisement posters, fixed to the frame through steel bolts.



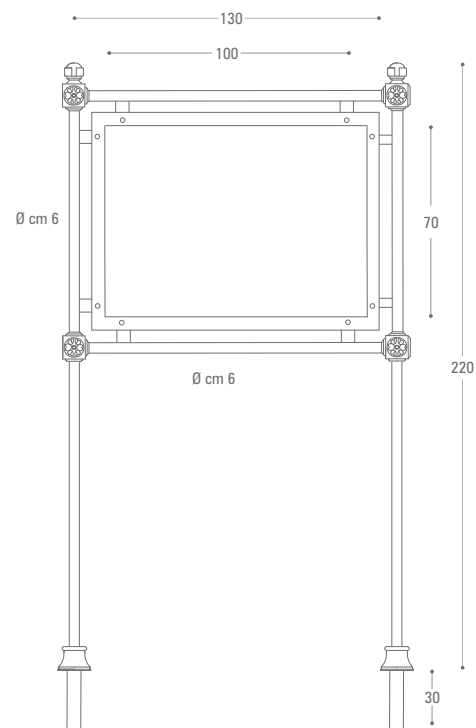
cod. 477

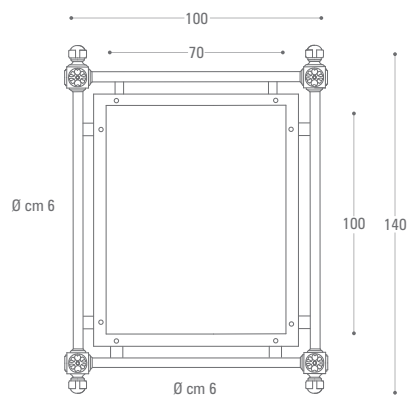
Composto da:

- » N°2 tubolari verticali diam. 6 in ferro zincato a caldo.
- » N°2 tubolari orizzontali diam. 6 in ferro zincato a caldo.
- » N°2 basette in fusione di ghisa EN GJL 200 (UNI EN 1561).
- » N°4 raccordi ornamentali in ghisa EN GJL 200 (UNI EN 1561).
- » Pannello in lamiera zincata a caldo su cui inserire i manifesti, fissato alla struttura mediante bulloni in acciaio.

Features:

- » Nr. 2 vertical tubular pipes 6 in diameter made of hot-dip galvanized iron.
- » Nr. 2 horizontal tubular pipes 6 in diameter made of hot-dip galvanized iron.
- » Nr. 2 small bases made of EN GJL 200 cast iron fusion (UNI EN 1561).
- » Nr. 4 decorative joints made of EN GJL 200 cast iron (UNI EN 1561).
- » Hot-dip galvanized iron sheet panel suitable for advertisement posters, fixed to the frame through steel bolts.





cod. 478

Composto da:

- » N°2 tubolari verticali diam. 6 in ferro zincato a caldo.
- » N°2 tubolari orizzontali diam. 6 in ferro zincato a caldo.
- » N°2 basette in fusione di ghisa EN GJL 200 (UNI EN 1561).
- » N°4 raccordi ornamentali in ghisa EN GJL 200 (UNI EN 1561).
- » Pannello in lamiera zincata a caldo su cui inserire i manifesti, fissato alla struttura mediante bulloni in acciaio.

N.B. Questo stendardo può essere montato sia in verticale, che in orizzontale

Features:

- » Nr. 2 vertical tubular pipes 6 in diameter made of hot-dip galvanized iron.
- » Nr. 2 horizontal tubular pipes 6 in diameter made of hot-dip galvanized iron.
- » Nr. 2 small bases made of EN GJL 200 cast iron fusion (UNI EN 1561).
- » Nr. 4 decorative joints made of EN GJL 200 cast iron (UNI EN 1561).
- » Hot-dip galvanized iron sheet panel suitable for advertisement posters, fixed to the frame through steel bolts.

Note: this sign board can be fixed up either in vertical or in horizontal position.